

# MANISCOPIC

**MLT 741**  
120 LSU





- Maximum lifting height : 6.90 m
- Capacity : 4100 kg
- Maximum forward reach : 3.93 m
- Torque convertor


MLT 741 - 120 LSU Powershift - FFGR 30 MT 2100


 **MANITOU**


# MLT 741 - 120 LSU


 **Lifting capacity** .....4100 kg  
(load centre at 500mm from forks heels)  
Tipping load at maximum reach .....1750 kg


 **Lifting height** .....6.90 m  
**Times** : unladen / loaded (in s)  
Lifting .....7/7.5  
Lowering .....5.3/5.2  
Boom extension.....8.2/9.0  
Boom retraction.....6.2/6.0  
Time unladen (in s)  
Crowd .....3.5  
Dump .....3.0


 **Tyres**  
17,5 LR 24 - XM 27

 **Forks** (mm)  
Length.....1200  
Width X thickness.....125 x 50  
Maximum distance between forks.....1260  
Carriage rotation.....146°


 **Oil bath multidisc brakes on front and rear axles**

 **Perkins engine**  
Turbo 120 : 1104 C - 44 TA .....4 cyl. - 4400 cm<sup>3</sup>  
Power (ISO/TR 14396) .....123 HP/90.5 kw  
Maximum torque  
(ISO/TR 14396) : .....434 Nm at 1400 rpm  
Direct injection  
Water cooling

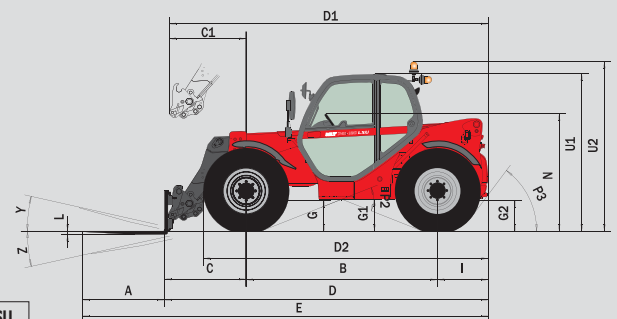
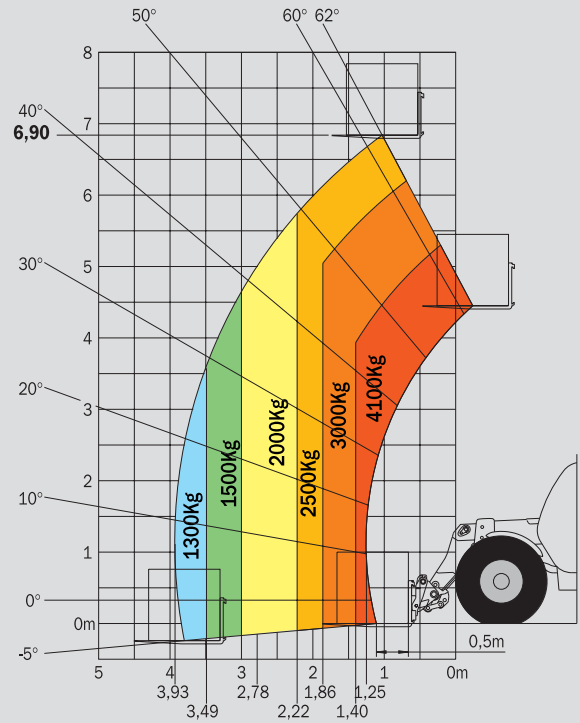
 **Transmission** .....torque convertor  
Number of speeds .....4/4  
Reversing shift.....electrohydraulic  
Limited slip differential lock  
Max. travel speed : .....till 40 km/h\*  
Powershift available for the MLT 741-120 LSU (5/3)

 **Hydraulic**  
**Turbo 120 LSU** .....150 l./mn - 270 bars  
Load Sensing pump with electronic control  
Electro proportional command monolever  
Flow divider with load sensing device driving and braking

 **Capacities**  
Hydraulic oil .....125 l  
Fuel tank .....120 l

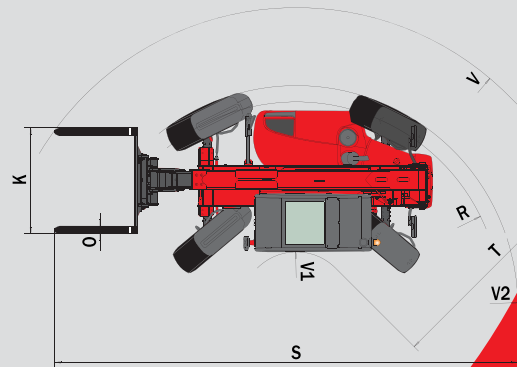
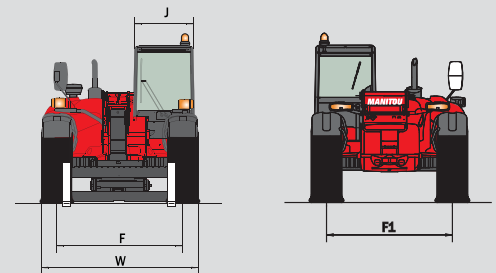
 **Weight unladen** (with forks) .....7365 kg  
**Overall height** .....2.30 m  
**Overall width** .....2.30 m  
**Overall length** (at forks carriage).....4.91 m  
**Ground clearance** .....0.45 m  
**Turning radius** (outside wheels) .....3.85 m  
**Drawbar pull**.....9100 daN

## Forward reach at maximum height : 1.03 m



MLT 741 - 120 LSU  
MLT 741 - 120 LSU PS

A	1200
B	2810
C	1232
C1	1288
D	4919
D1	4975
D2	4287
E	6119
F	1870
F1	1870
G	455
G1	440
G2	440
I	877
J	865
K	1260
L	50
N	1720
O	125
P2	38°
P3	53°
R	3625
S	7689
T	3505
U1	2300
U2	2550
V	4865
V1	1360
V2	3853
W	2325
Y	12,3°
Z	133,5°



mm

This publication in no way constitutes an offer and the company reserves the right to alter specification without prior notice. The MANITOU models presented in this brochure can be supplied complete with optional equipment attachments.

\* Depending on models

